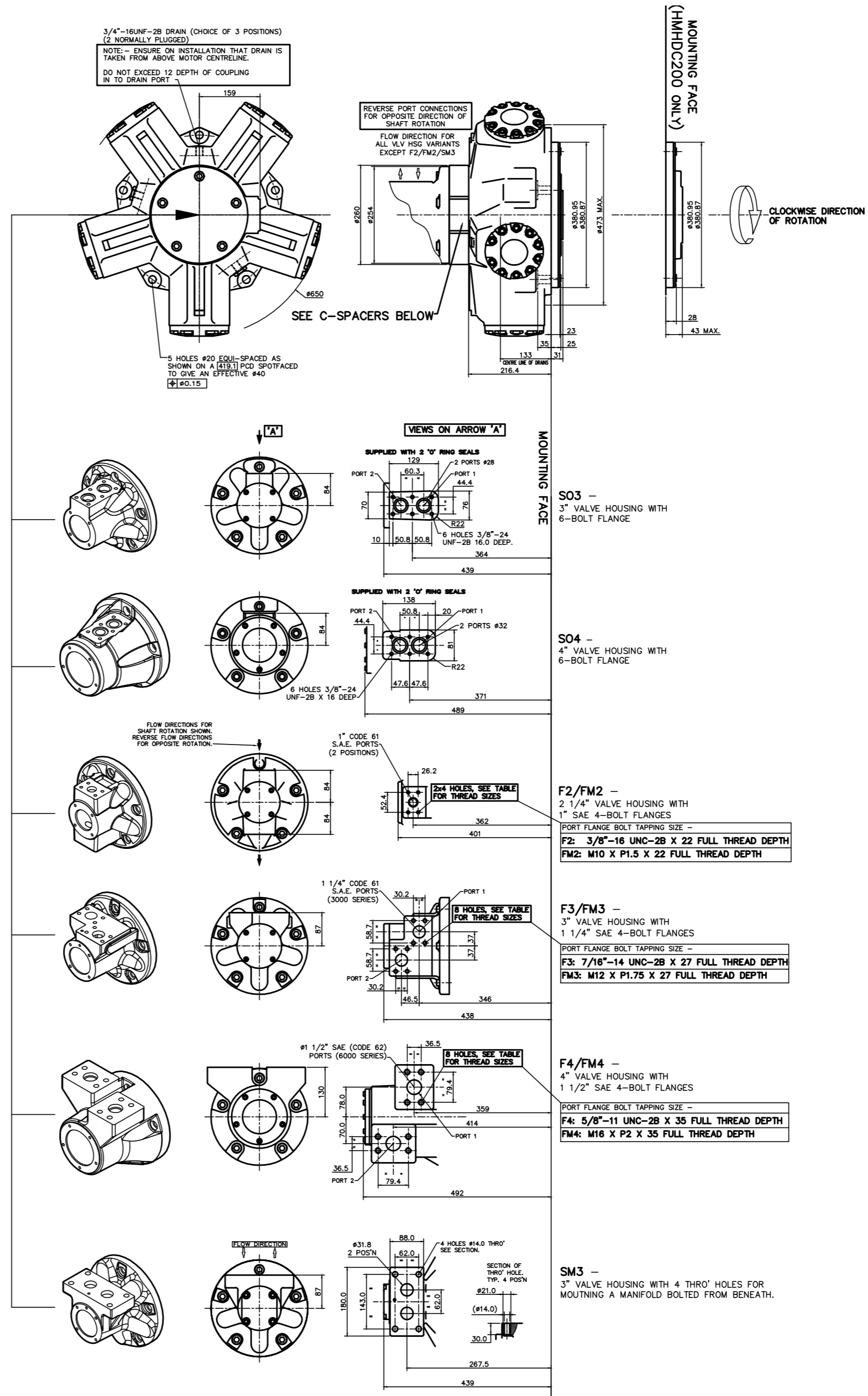


HMC/HMHDC200

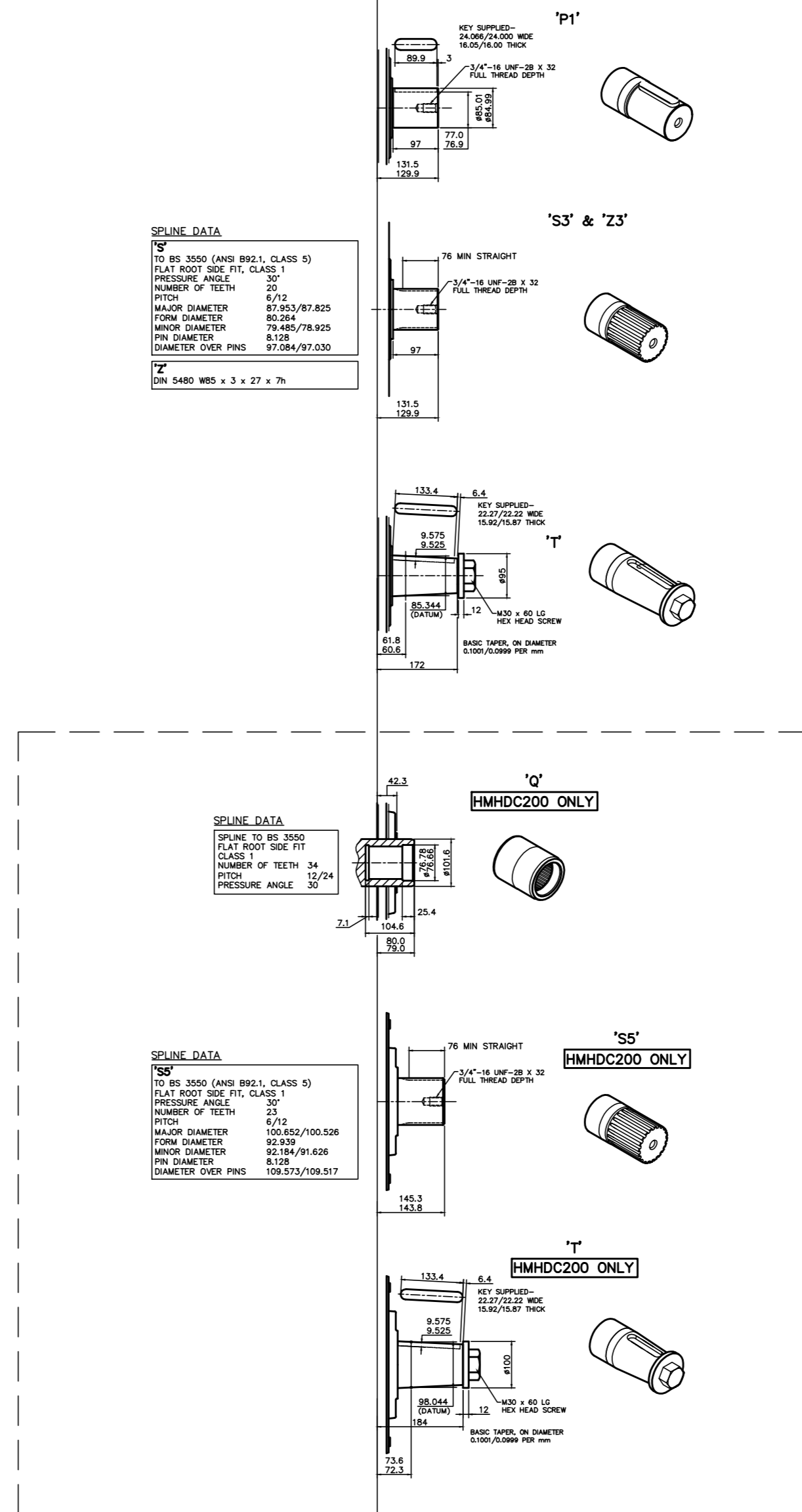
VALVE HOUSINGS

EXAMPLE FOR MODEL CODE -
HMC200/S/180/60/FM3/X/71



SHAFTS

EXAMPLE FOR MODEL CODE -
HMC200/S/180/60/FM3/X/71



C SPACERS

EXAMPLE FOR MODEL CODE -
HMC200/S/180/60/FM3/X/71

