

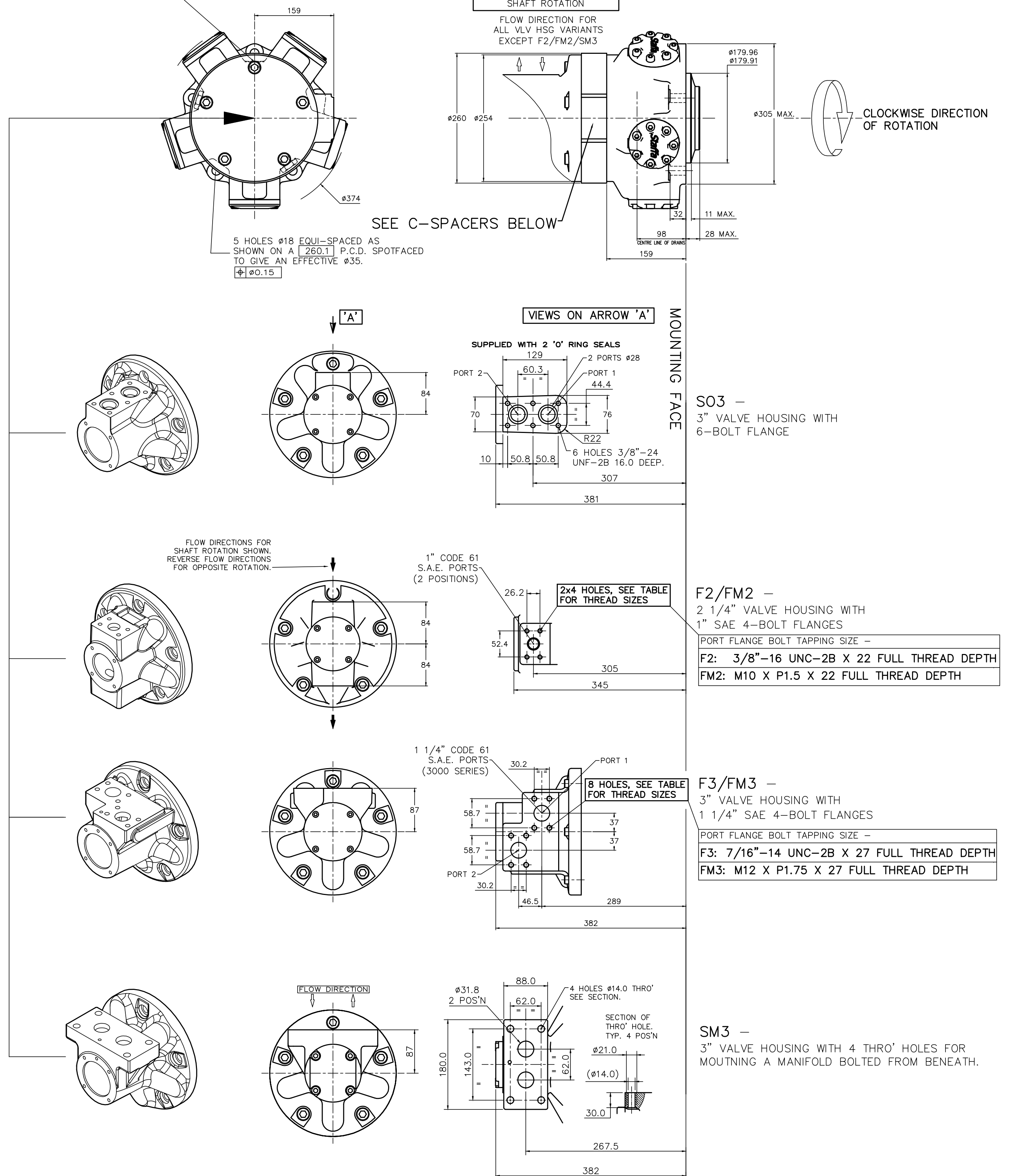
HMC030

VALVE HOUSINGS

EXAMPLE FOR MODEL CODE -
HMC030/S/30/15/FM3/X/71

3/8" BSP x 17 FULL THREAD (CHOICE OF 3 POSITIONS)
(2 NORMALLY PLUGGED)

NOTE: - ENSURE ON INSTALLATION THAT DRAIN IS
TAKEN FROM ABOVE MOTOR CENTRELINE.
DO NOT EXCEED 12 DEPTH OF COUPLING
IN TO DRAIN PORT



SHAFTS

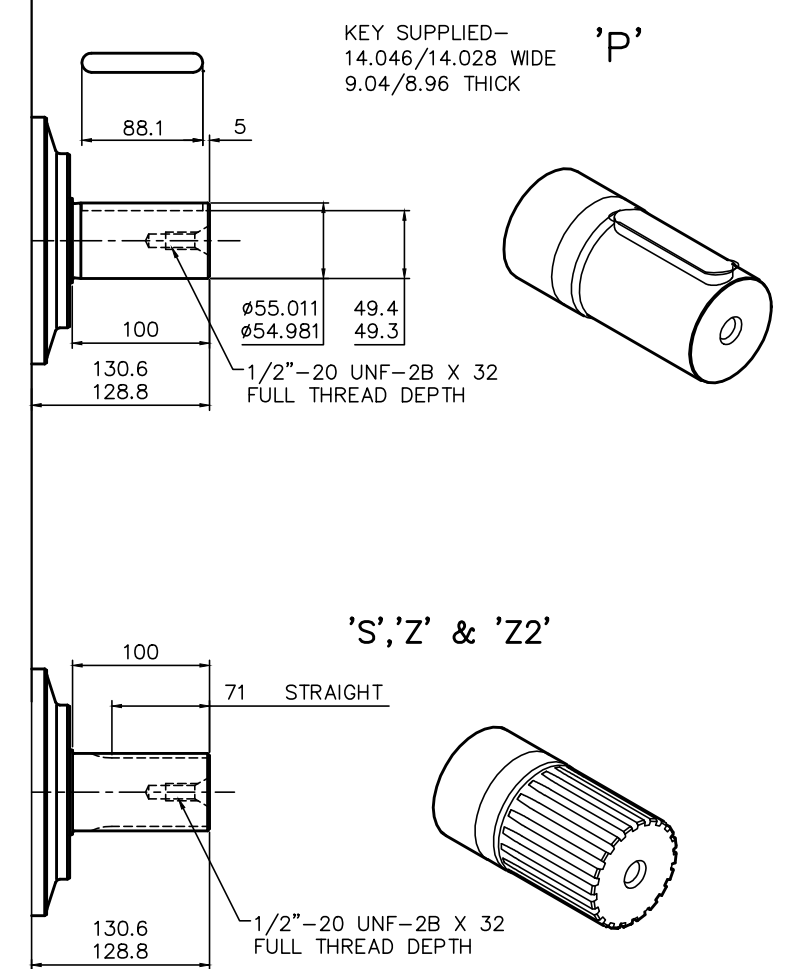
EXAMPLE FOR MODEL CODE -
HMC030/P/30/15/FM3/X/71

SPLINE DATA

'S'
TO BS 3550 (ANSI B92.1 CLASS 5)
FLAT ROOT SIDE FIT, CLASS 1
PRESSURE ANGLE 30°
NUMBER OF TEETH 17
PITCH 8/16
MAJOR DIAMETER 56.41/56.29
FORM DIAMETER 50.70
MINOR DIAMETER 50.06/49.60
PIN DIAMETER 6.096
DIAMETER OVER PINS 62.984/62.931

'Z'
DIN 5480 W55 x 3 x 17 x 7h

'Z2'
DIN 5480 W60 x 3 x 18 x 7h



C SPACERS

EXAMPLE FOR MODEL CODE -
HMC030/P/30/15/FM3/X/71

